

INSTRUCTIONS FOR INSTALLING COIN BLOCK REPLACEMENT KIT IN A NATIONAL VENDORS , CROWN LINE , SERIES 222, 800, 114AP, 114, CC, CP; CROWN LINE , CABARET 222, 800, AND 114AP; AND CROWN LINE , CANDY CUPBOARD AND PASTRY CUPBOARD MERCHANDISER

These instructions cover the replacement procedures for the Coin Block replacement in any Crown Line 222, 800, 114, CC, Candy Cupboard, CP, CC/SCC, Pastry Cupboard, and Cabaret Series Merchandisers.

Read these instructions carefully and thoroughly before proceeding with the actual removal and replacement procedures. Retain the instructions for part number and replacement information. Kit 222-2830 includes the following parts:

Part Number	Description	Quantity
222-2612	Coin Block	1
9900-063	Screw, No.8-32 x 3/8 RHS S/T	2
230-2053	Cup Spacer	2
222-2831	Installation Instructions * * *	1

TO INSTALL THE KIT

A. PARTS REMOVAL

1. Open the Merchandiser Cabinet Door.
2. Disconnect the Coin Return Knob Spring from the Coin Return Knob. See Figure 1.
3. Coin Chute Removal.
 - a. ACMR equipped - removed 2 screws and Cup Spacers. See Figure 2.
 - b. Changer equipped - remove 3 screws and Cup Spacers. See Figure 3.
4. Remove the Coin Block Cup Spacer, Screw, and the Coin Block.

B. TO INSTALL THE KIT

1. Position the Coin Block on the Bosses. See Figure 4.
2. Adjust the Coin Block.
 - a. To accept nickels and dimes, the Coin Block Plate must be set per position "A". See Figure 5. This position must be used if the Merchandiser is equipped with a Self-Loading Changer (SCC); or, is set to sell at 20¢ or less when equipped with either Series ACMR.

- b. To accept nickels, dimes, and quarters, the Coin Block Plate must be set per position "B" Figure 5. This position is to be used only if the Merchandiser is equipped with either Series ACMR and is set to sell at 25¢ or over; or, is equipped with a Series 550 or Series 555 Coin Mechanism and a 3-in-1 Slug Rejector; or, if the lowest vending price is 25¢ or less when the Merchandiser is equipped with a Series 550 or Series 555 Coin Mechanism and a 4-in-1 Slug Rejector.
- c. To accept nickels, dimes, quarters, and half-dollars, the Coin Block Plate must be set per position "C" Figure 5. This position is to be used only if the Merchandiser is equipped with a Series 550 or Series 555 Coin Changer and a 4-in-1 Slug Rejector and if the lowest price at which the Merchandiser is to vend is 30¢ or over.

NOTE

1. Merchandisers equipped with either Series All Coin Manual Recorder can only use a 3-in-1 Slug Rejector and will not accept half-dollars.
2. Merchandisers equipped with a Series 550 or Series 555 Coin Changer and a standard 3-in-1 Slug Rejector will not accept half-dollars.
3. Merchandisers equipped with a Series 550 or Series 555 Coin Changer and an optional at extra cost 4-in-1 Slug Rejector will accept half-dollars. Since the Series 550 or Series 555 Coin Changer will return a maximum of 20¢ in change, 30¢ is the minimum vending price at which a Merchandiser which accepts half-dollars can be set.
3. Install the Coin Chute over the Coin Block and Bosses.
4. Secure the Coin Chute.
 - a. ACMR equipped - attach 2 screws and Cup Spacers. See Figure 6.
 - b. Changer equipped - attach 3 screws and Cup Spacer. See Figure 7.
5. Secure the Coin Block with one screw and Cup Spacer. See Figure 8.

6. Connect the Coin Return Knob Spring. See Figure 9.
7. Close the Merchandiser Cabinet Door and test vend the Merchandiser with coins to check the setting of the Coin Block.

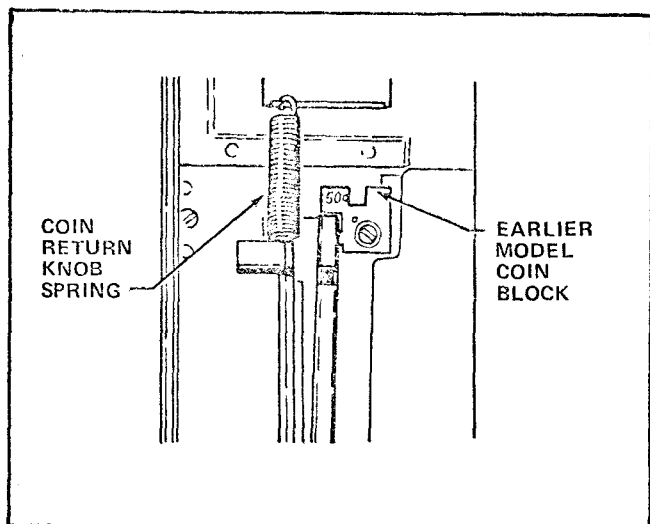


FIGURE 1

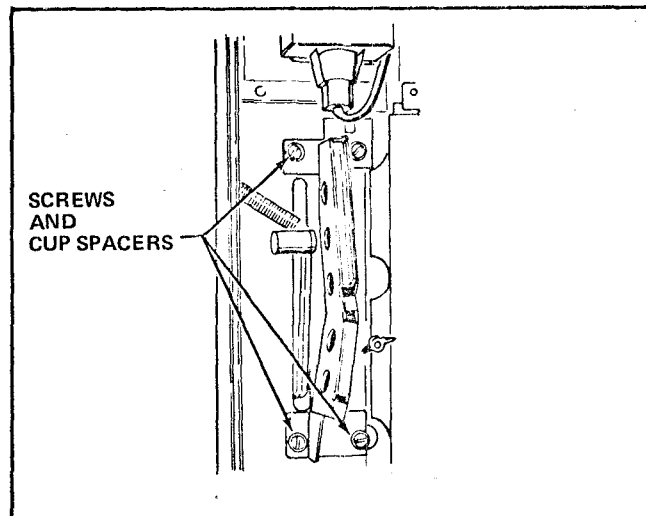


FIGURE 3

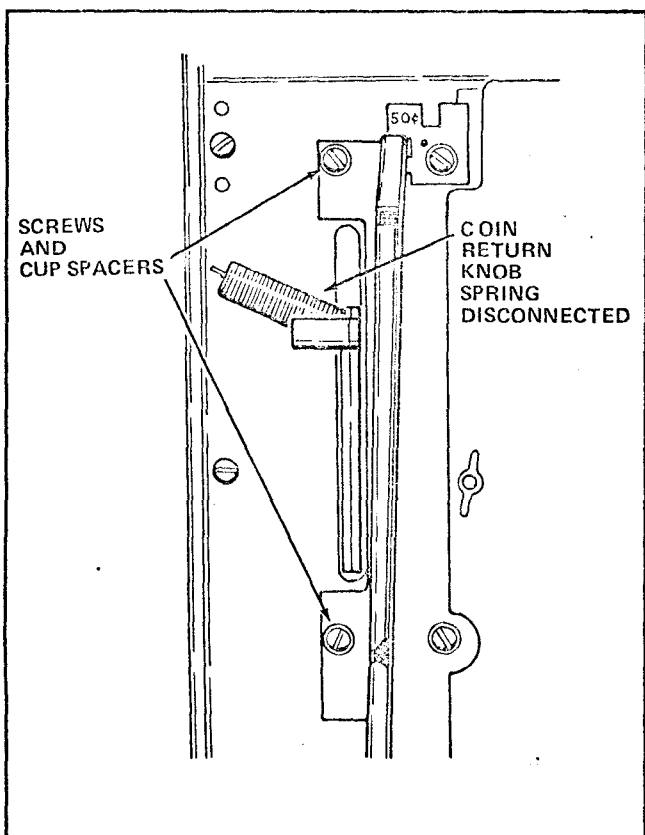


FIGURE 2

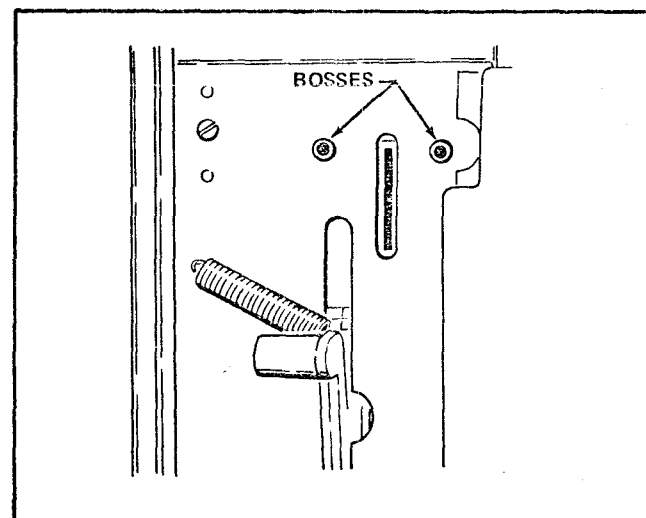
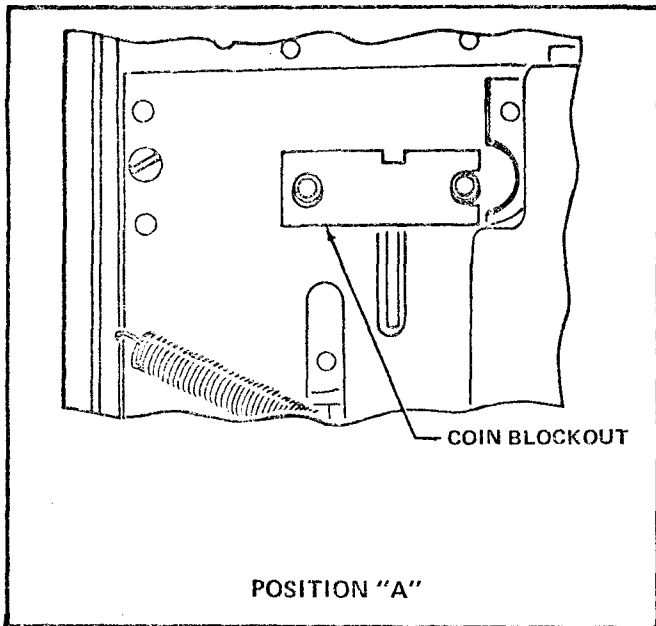
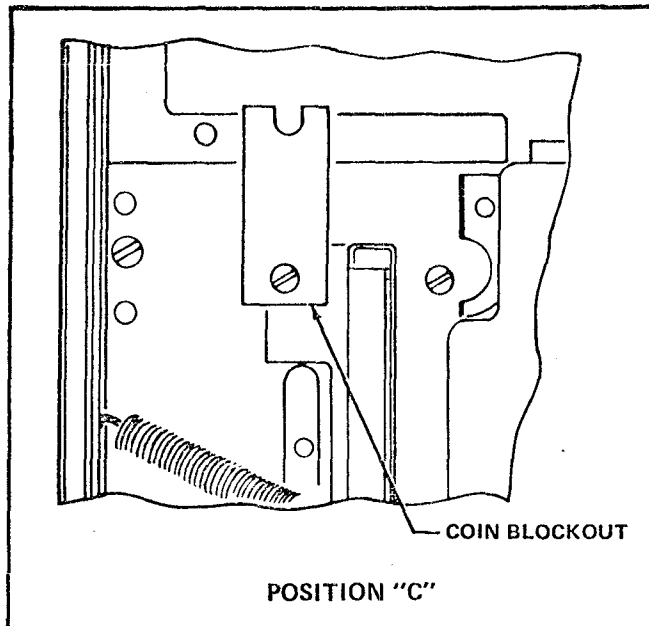


FIGURE 4



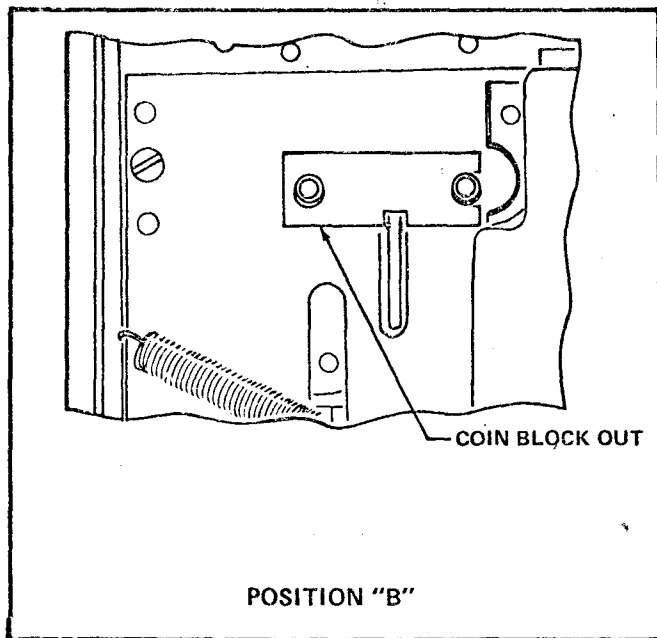
POSITION "A"

FIGURE 5



POSITION "C"

FIGURE 5



POSITION "B"

FIGURE 5

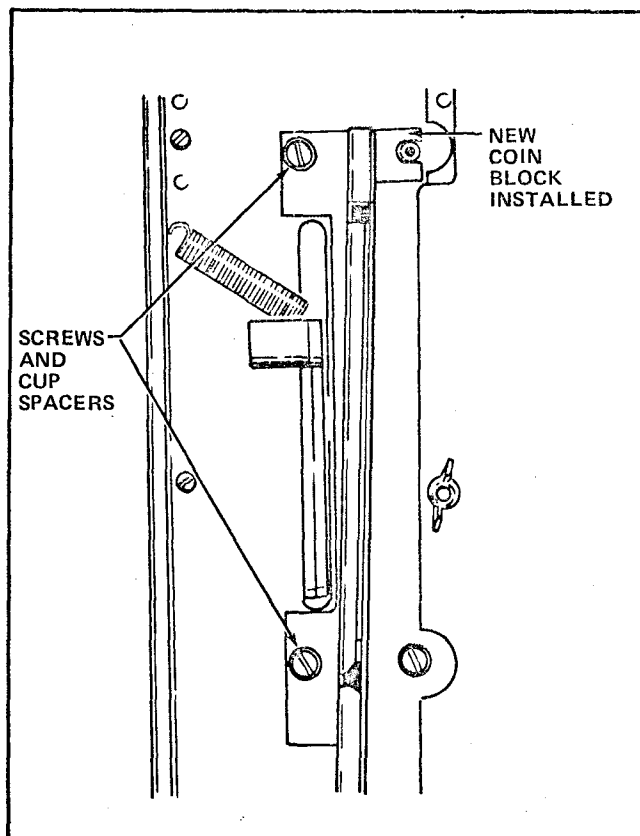


FIGURE 6

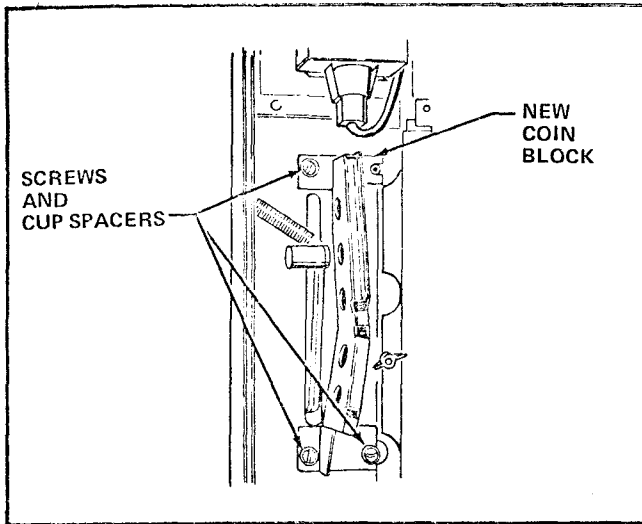


FIGURE 7

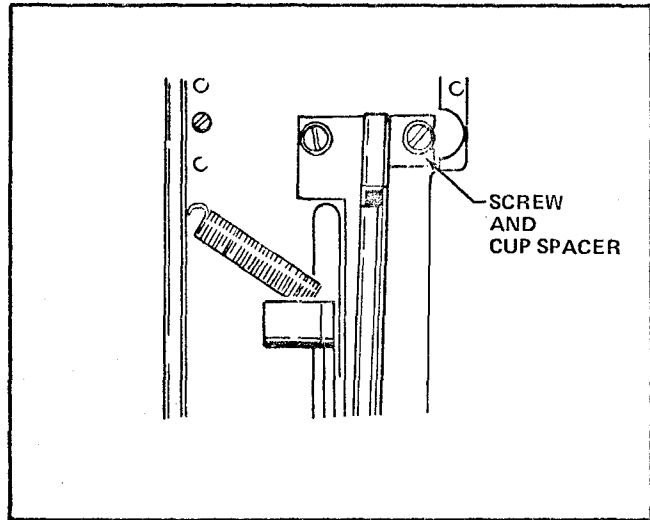


FIGURE 8

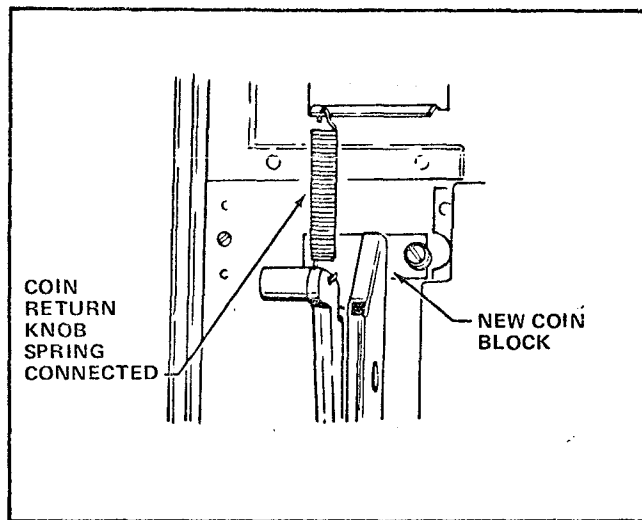


FIGURE 9